

Example of order: MAV 5061 50 x 65

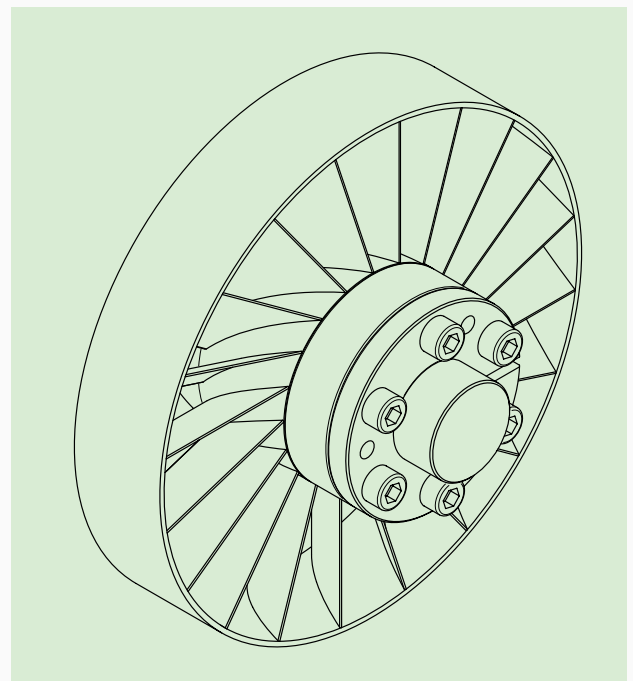
Features

- Medium capacity
- Self-centering, self-locking
- Fixed axial hub position during tightening
- Single taper design
- Well suited for connection of thin walled hubs
- Tolerances: shaft h7-h11; hub bore H7-H11
- Surface finish of shaft and hub bore $Ra < 3.2 \mu m$

Composition

- slotted inner ring, with integrated push-off threads
- Slotted outer ring
- Spacer
- Set of socket head cap screws, grade 12.9

Application examples

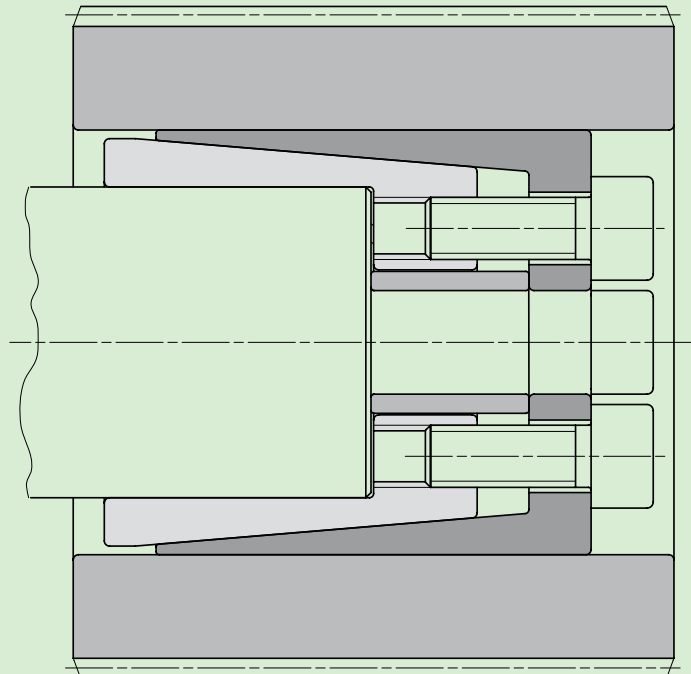


Connection of fan with thin walled hub

DIMENSIONS							SCREWS		PERFORMANCES				WEIGHT kg
d mm	x	D mm	D1 mm	L2 mm	L1 mm	L mm	size	Ma Nm	Mt Nm	Fax kN	Ps MPa	Ph MPa	
6	x	14	25	10	22,0	26,0	M 4	5	21	7	273	134	0,04
7	x	15	27	12	25,0	29,0	M 4	5	25	7	199	104	0,04
8	x	15	27	12	25,0	29,0	M 4	5	28	7	177	104	0,05
9	x	16	29	14	27,0	31,0	M 4	5	42	9	182	112	0,06
10	x	16	29	14	27,0	31,0	M 4	5	47	9	166	112	0,06
11	x	18	32	14	27,5	31,5	M 4	5	52	9	149	99	0,07
12	x	18	32	14	27,5	31,5	M 4	5	57	9	138	99	0,07
13	x	23	38	14	27,5	31,5	M 4	5	61	9	122	78	0,11
14	x	23	38	14	27,5	31,5	M 4	5	66	9	114	78	0,11
15	x	24	44	16	36,5	42,5	M 6	17	130	17	167	115	0,20
16	x	24	44	16	36,5	42,5	M 6	17	130	17	159	115	0,20
17	x	25	45	18	39,5	45,5	M 6	17	190	22	179	131	0,20
18	x	26	47	18	39,5	45,5	M 6	17	200	22	169	126	0,30
19	x	27	49	18	39,5	45,5	M 6	17	210	22	160	122	0,30
20	x	28	50	18	39,5	45,5	M 6	17	220	22	152	117	0,30
22	x	32	54	25	47,0	53,0	M 6	17	250	22	100	74	0,40
24	x	34	56	25	47,0	53,0	M 6	17	400	33	138	104	0,40
25	x	34	56	25	47,0	53,0	M 6	17	420	33	133	104	0,40
28	x	39	61	25	47,0	53,0	M 6	17	470	33	117	91	0,40
30	x	41	62	25	47,0	53,0	M 6	17	500	33	109	86	0,40
32	x	43	65	25	47,0	53,0	M 6	17	710	45	137	110	0,50
35	x	47	68	32	54,0	60,0	M 6	17	780	45	99	79	0,50
38	x	50	72	32	54,0	60,0	M 6	17	850	45	91	74	0,60
40	x	53	75	32	54,0	60,0	M 6	17	890	45	86	70	0,70
42	x	55	78	32	54,0	60,0	M 6	17	940	45	82	67	0,70
45	x	59	86	45	70,0	78,0	M 8	41	1'900	82	102	82	1,10
48	x	62	87	45	70,0	78,0	M 8	41	2'000	82	96	78	1,10
50	x	65	92	45	70,0	78,0	M 8	41	2'100	82	91	75	1,30
55	x	71	98	55	81,0	89,0	M 8	41	2'500	93	77	63	1,60
60	x	77	104	55	81,0	89,0	M 8	41	2'800	93	70	58	1,80
65	x	84	111	55	81,0	89,0	M 8	41	3'000	93	65	53	2,10
70	x	90	119	65	96,0	106,0	M 10	83	5'300	152	84	69	2,80
75	x	95	126	65	96,0	106,0	M 10	83	5'700	152	78	65	3,10
80	x	100	131	65	96,0	106,0	M 10	83	8'100	203	98	83	3,20
85	x	106	137	65	96,0	106,0	M 10	83	8'600	203	92	78	3,50
90	x	112	144	65	96,0	106,0	M 10	83	9'100	203	87	74	3,90
95	x	120	149	65	96,0	106,0	M 10	83	11'200	236	95	80	4,30
100	x	125	160	70	107,0	119,0	M 12	145	15'100	303	108	92	5,50
110	x	140	174	70	107,0	119,0	M 12	145	16'600	303	97	82	6,80
120	x	155	198	90	128,0	140,0	M 12	145	24'200	404	93	77	9,90
130	x	165	208	90	128,0	140,0	M 12	145	26'200	404	85	72	10,50

Code:

- Ma: screws tightening torque
- Mt: transmissible torque with Fax=0 kN
- Fax: transmissible axial load with Mt=0 Nm
- Ps: contact pressure on shaft
- Ph: contact pressure in hub bore



Special inverted MAV 5061 for connection of aluminum gear.

Components

